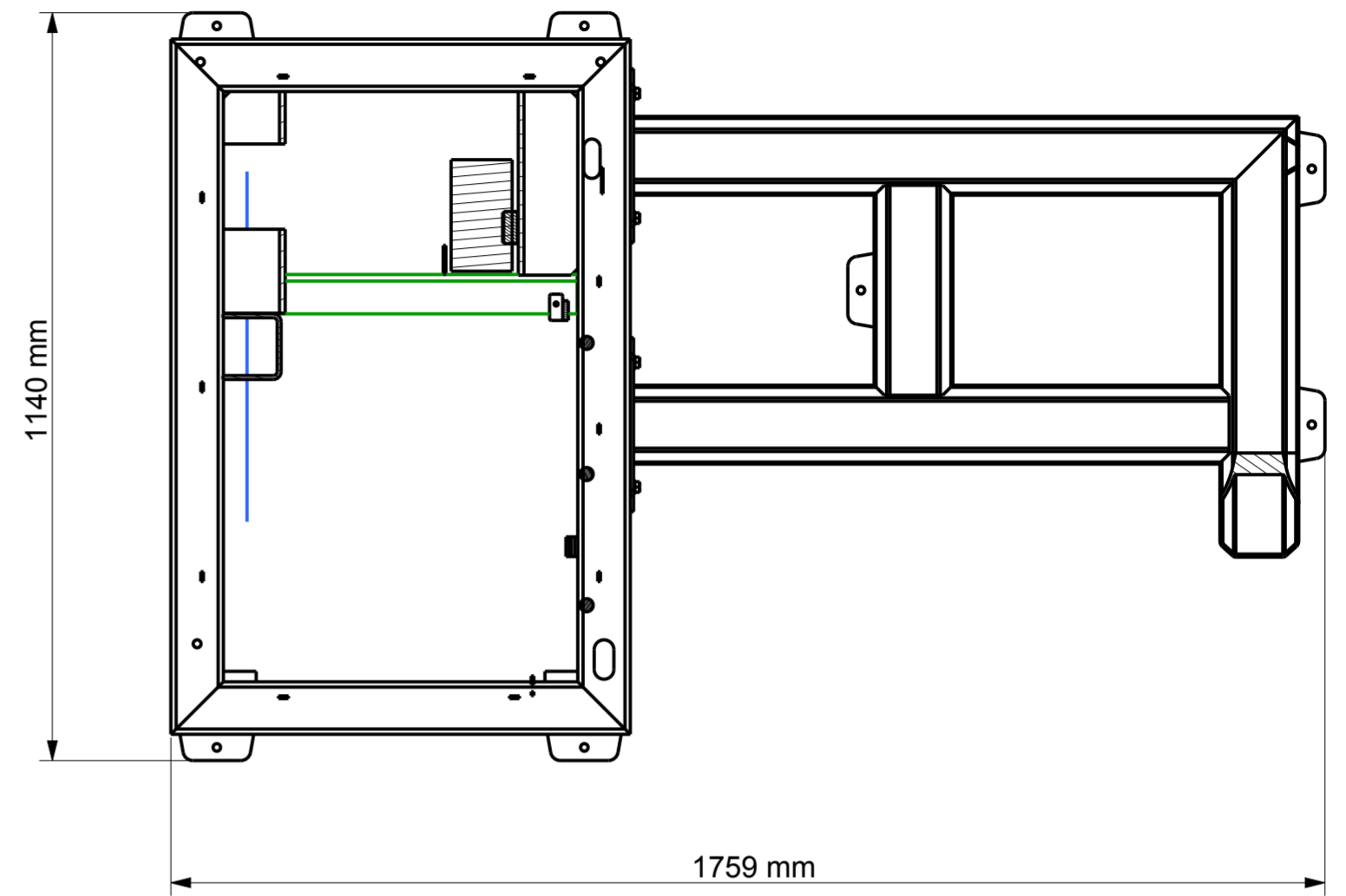
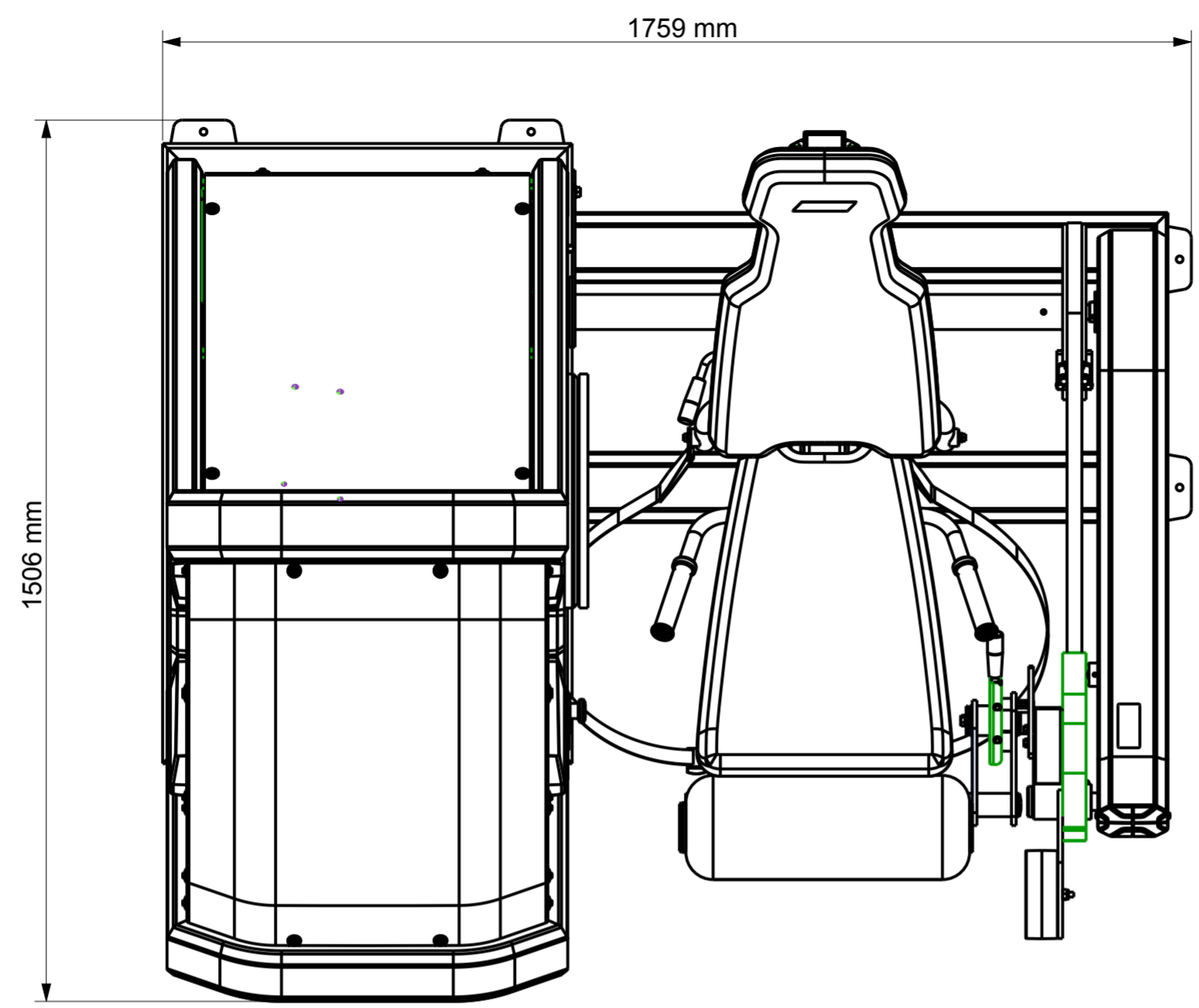
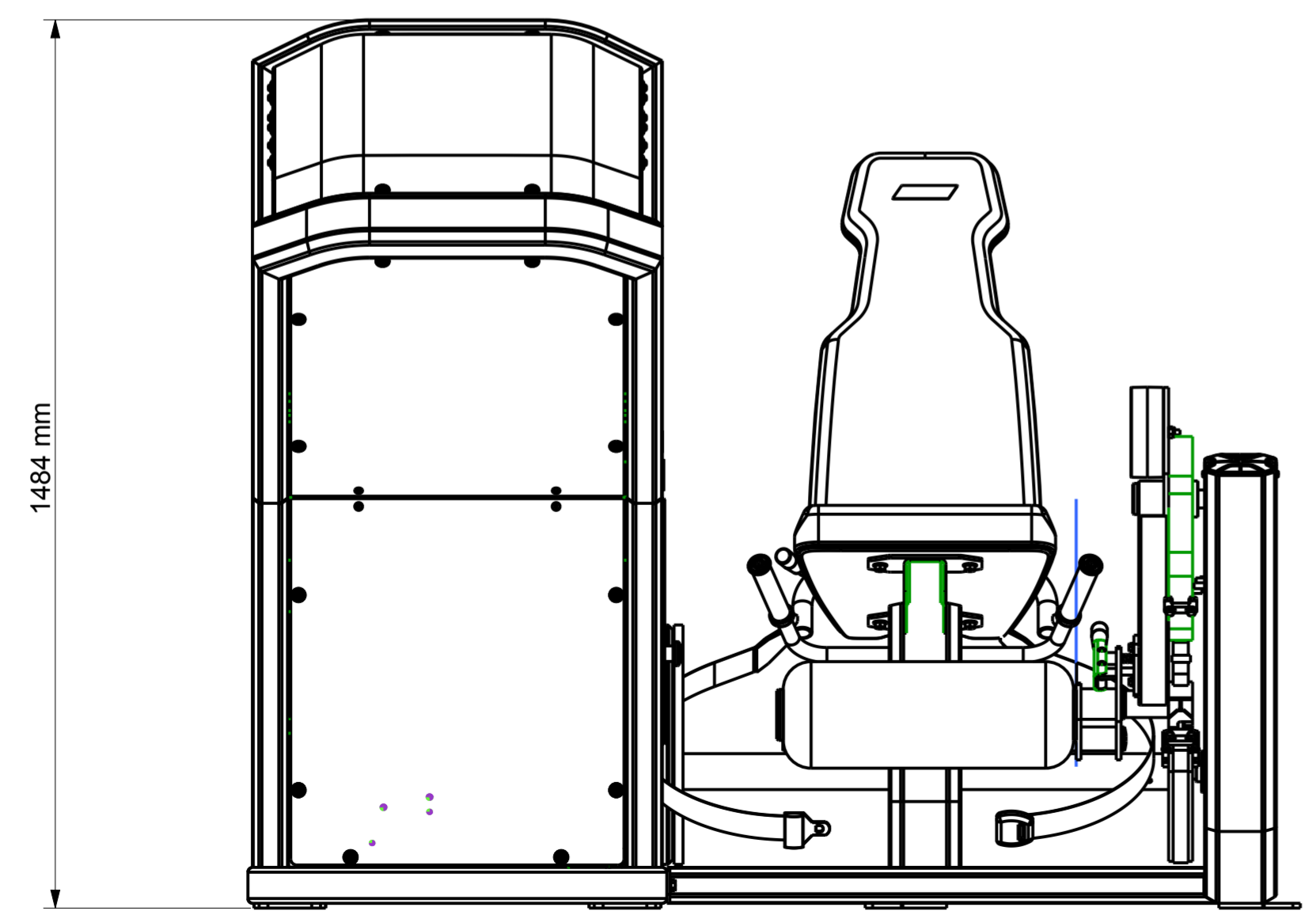


This document is our property and must not under any circumstances be copied in its original or modified state reproduced or used for any unauthorized purpose without our written permission, nor may its contents be imparted to a third party. Contravention will be prosecuted.

PROJE designed
No manual changes



Z-Z



2	1	VIKTMAGASIN 18 VIKTER KORT		20500		
1	1	LEG QUADRICEPS		20002		
Pos	Antal	Benämning	Dimension/Ovrigt	Filnamn/rtn.nr	Material/Leverantör	Anmärkning/Beställ.nr
		Denomination	Dimension/Other	File name/Drw.No	Material/Supplier	Note/Order No.
<p>Där ej annat angetts gäller följande: Unless otherwise stated the following applies:</p>						
Ytjämnhet Ra µm		Ytbehandling/Suface treatment		Vikt/Weight (Kg)		
Surface roughness Ra µm		✓				
Skarpa kanter brutna		Kulör/Colour		Avd./Departm.		Ersätter/Replaces
Sharp edges broken		0,2 - 0,5		ENG		Ersatt av/Replaced by
Generella toleranser enligt ISO 2768-mk			Konstr./Designer	Ritad/Drawn	Kontroll/Checked	Skala/Scale
General tolerances acc. to ISO 2768-mk			OTKJ	OTKJ		1:10
Tillämpl. std. se dok: 19990			Benämning/Denomination		Datum/Date	Dokumentstatus/Documentstatus
Applicable std. see doc: 19990			LQ		120102	
Vyplacering			Benämning/Denomination		Rit nr Drw. No	Blad nr
Proj.method						Sheet No
						1(1)
						Utgåva/Issue
						K01
					A2	10002

