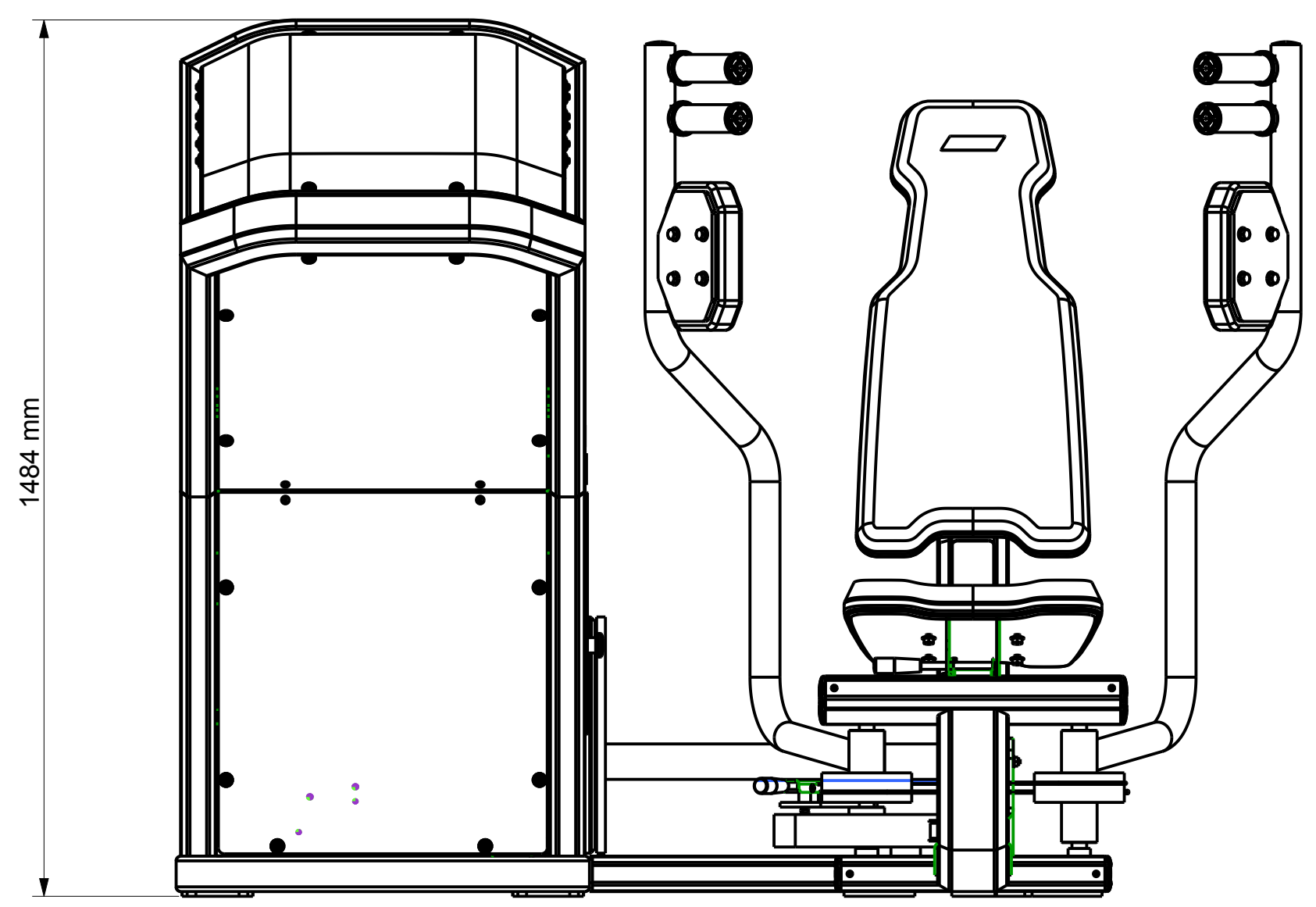
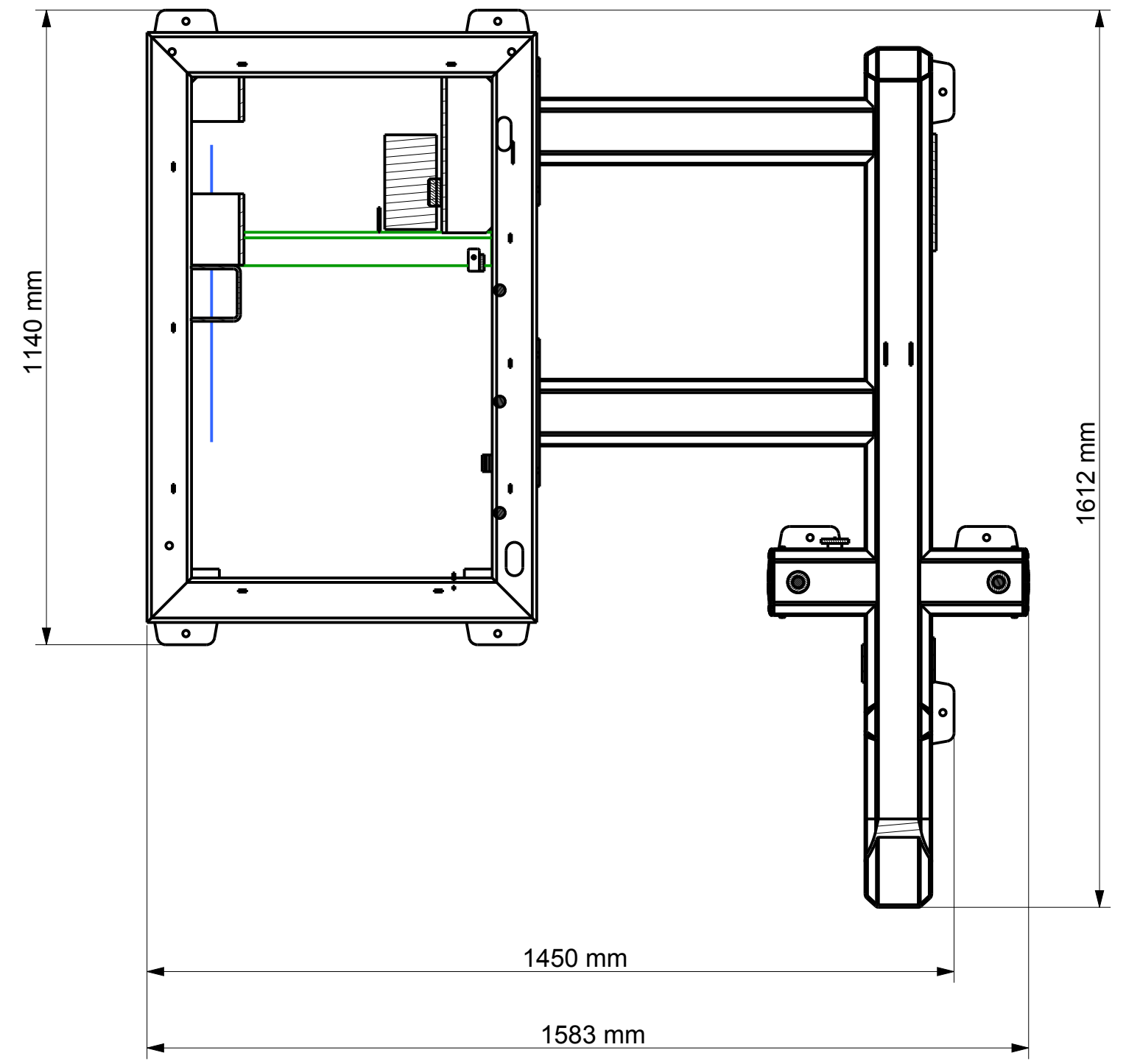
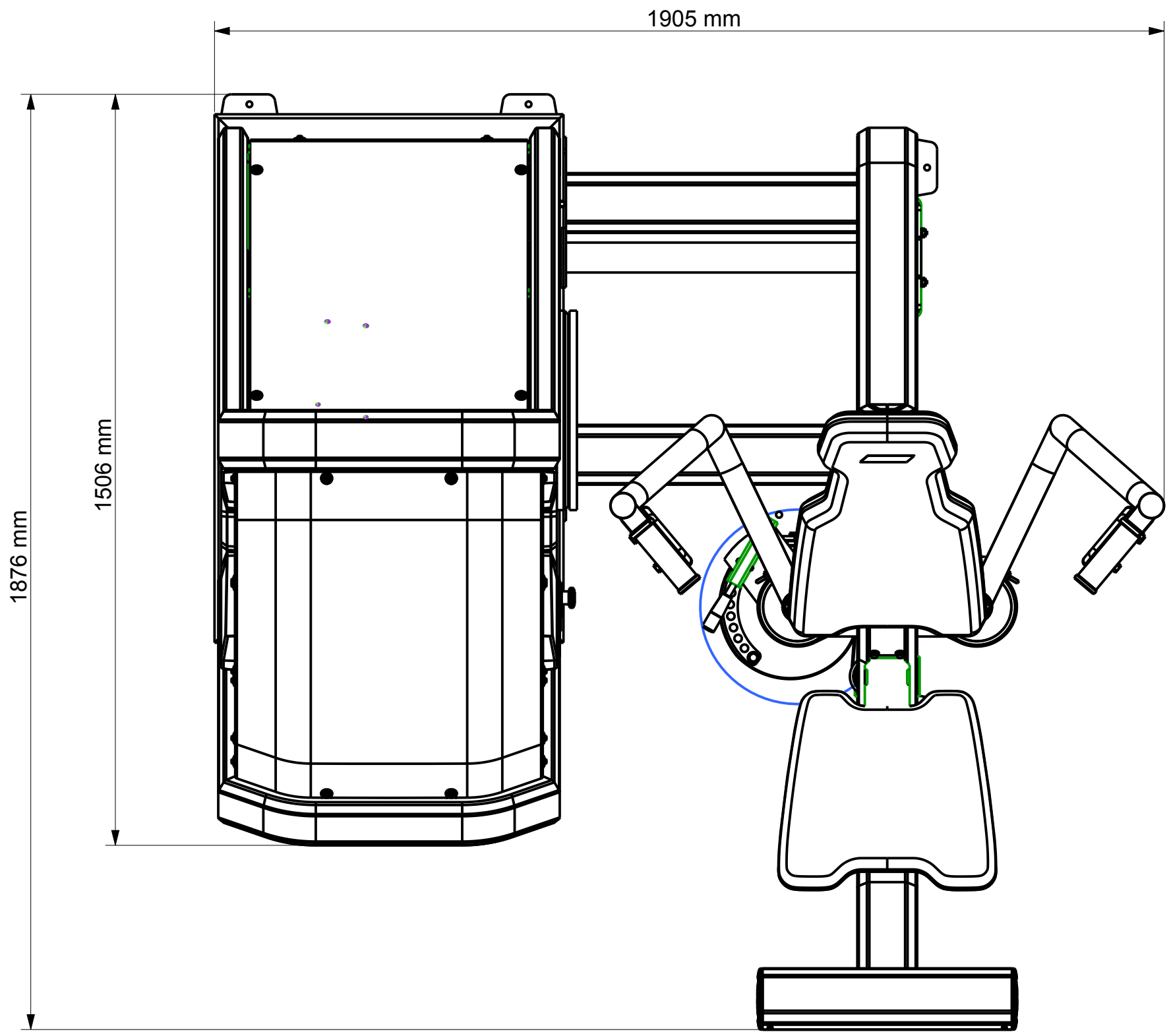


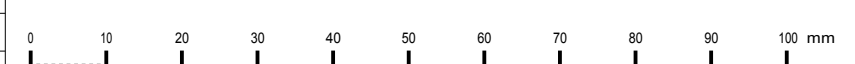
This document is our property and must not under any circumstances be copied in its original or modified state reproduced or used for any unauthorized purpose without our written permission, nor may its contents be imparted to a third party. Contravention will be prosecuted.

PROJE designed
No manual changes



Z-Z

2	1	VIKTMAGASIN 18 VIKTER KORT		20500		
1	1	Pec Arm Cross		20007		
Pos	Antal	Benämning	Dimension/Ovrigt	Filnamn/rtn.nr	Material/Leverantör	Anmärkning/Beställ.nr
		Denomination	Dimension/Other	File name/Drw.No	Material/Supplier	Note/Order No.
<p>Där ej annat angetts gäller följande: Unless otherwise stated the following applies:</p>						
Ytjämnhet Ra µm		Ytbehandling/Suface treatment		Vikt/Weight (Kg)		
Surface roughness Ra µm						
Skarpa kanter brutna		Kulör/Colour		Avd./Departm.		Ersätter/Replaces
Sharp edges broken		0,2 - 0,5		ENG		Ersatt av/Replaced by
Generella toleranser enligt ISO 2768-mk			Konstr./Designer	Ritad/Drawn	Kontroll/Checked	Skala/Scale
General tolerances acc. to ISO 2768-mk			OTKJ	OTKJ		1:10
Tillämpl. std. se dok: 19990			Benämning/Denomination		Datum/Date	Dokumentstatus/Documentstatus
Applicable std. see doc: 19990			PAC		120102	
Vyplacering			Benämning/Denomination		Rit nr Drw. No	Utgåva/Issue
Proj.method					A2	10007
						K01



Ändring/Modification	Datum/Date	Sign