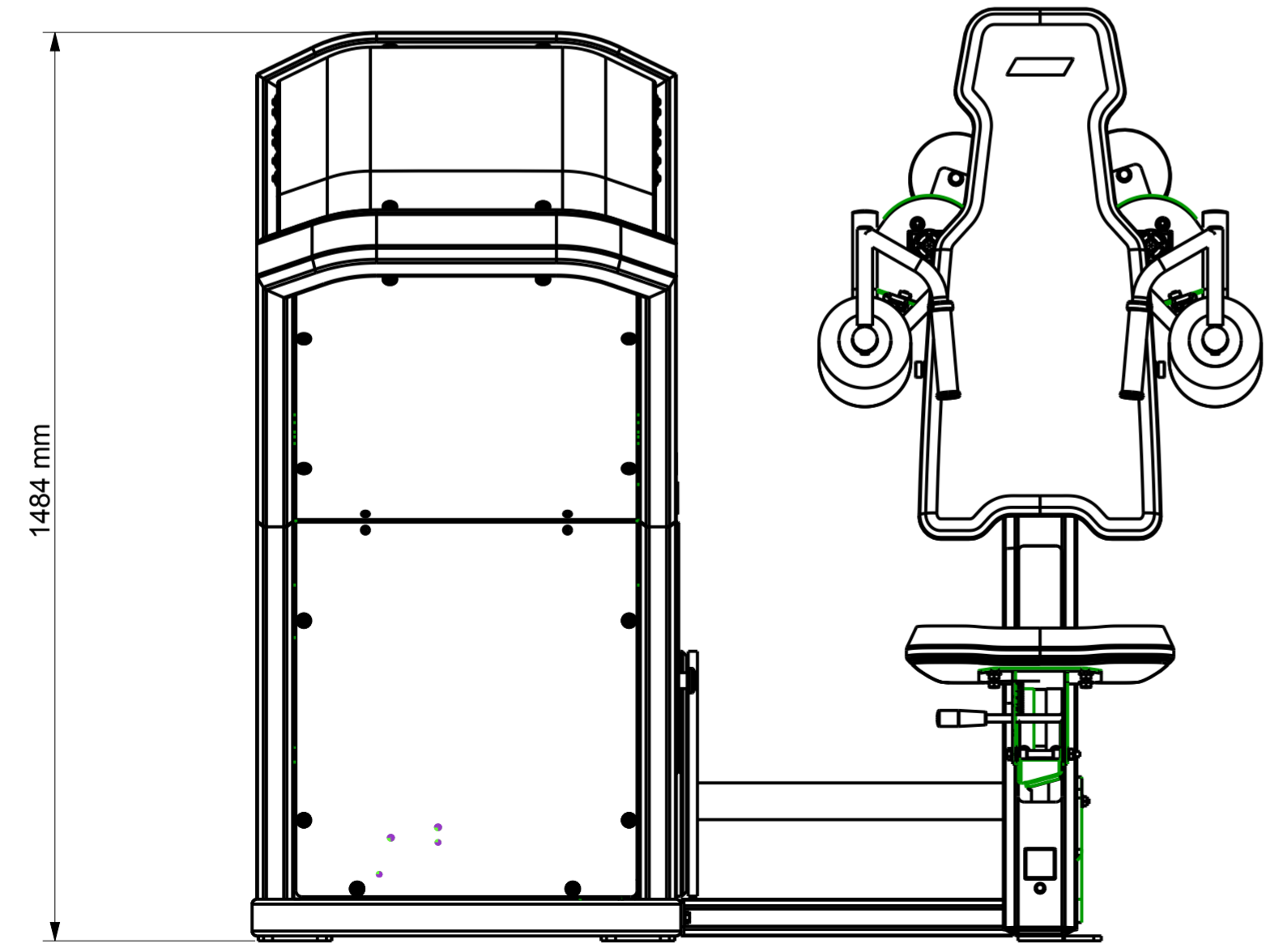
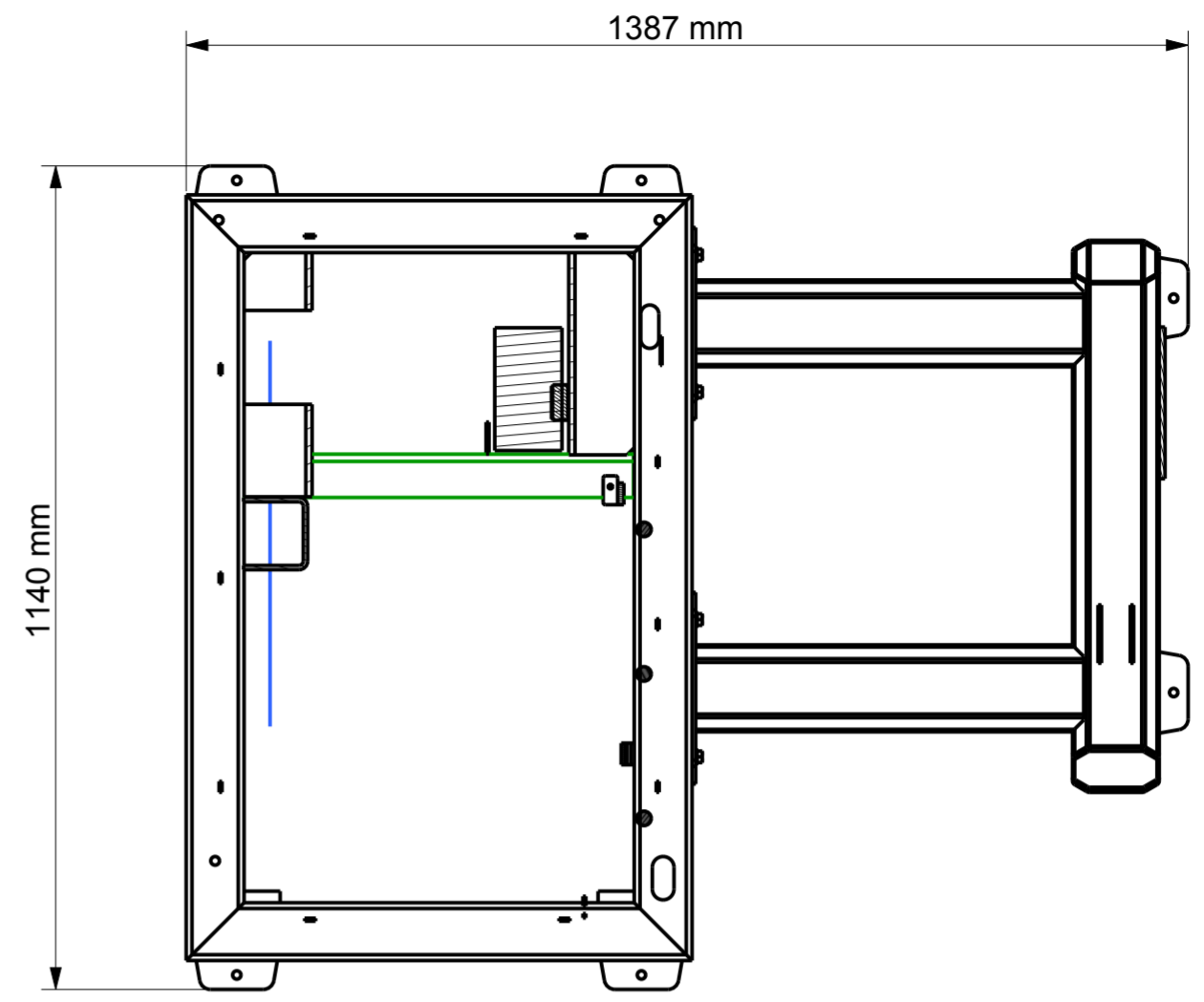
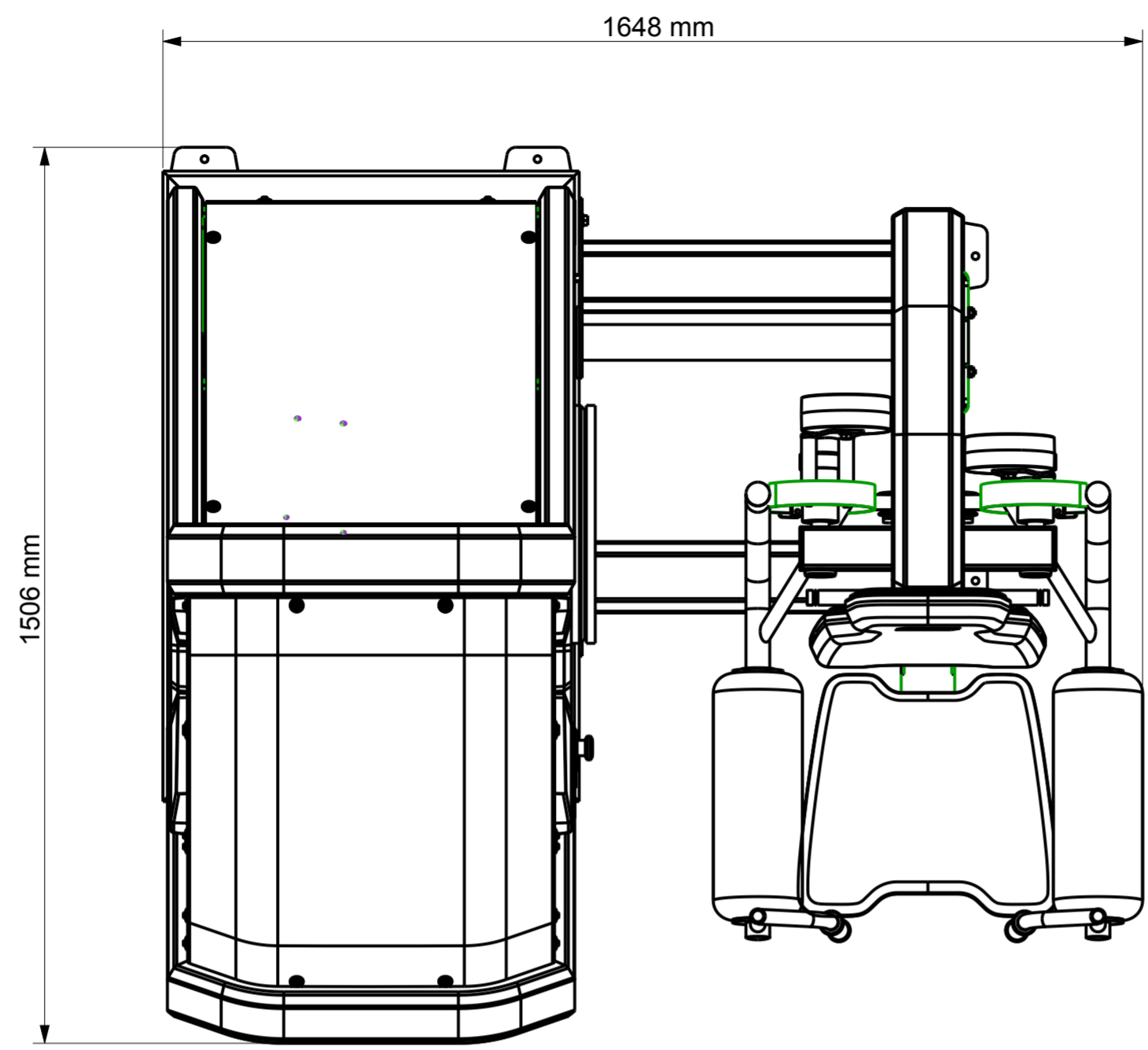


This document is our property and must not under any circumstances be copied in its original or modified state reproduced or used for any unauthorized purpose without our written permission, nor may its contents be imparted to a third party. Contravention will be prosecuted.

PROJE designed
No manual changes



2	1	VIKT MAGASIN 18 VIKTER KORT		20500		
1	1	Deltoid Lift		20010		
Pos	Antal	Benämning Denomination	Dimension/Ovrigt Dimension/Other	Filnamn/rtn.nr File name/Drw.No	Material/Leverantör Material/Supplier	Anmärkning/Beställ.nr Note/Order No.
Där ej annat angetts gäller följande: Unless otherwise stated the following applies:						
Ytjämnhet Ra µm Surface roughness Ra µm		Ytbehandling/Suface treatment		Vikt/Weight (Kg)		
Skarpa kanter brutna Sharp edges broken		Kulör/Colour		Avd./Departm. ENG		
Generella toleranser enligt ISO 2768-mk General tolerances acc. to ISO 2768-mk		Konstr./Designer OTKJ	Ritad/Drawn OTKJ	Kontroll/Checked	Skala/Scale 1:10	Info. klass/Classification
Tillämpl. std. se dok: 19990 Applicable std. see doc: 19990		Benämning/Denomination DL		Datum/Date 120102	Dokumentstatus/Documentstatus	Blad nr Sheet No 1(1)
Vyplacering Proj.method		Benämning/Denomination		Rit nr Drw. No	10010	Utgåva/Issue K01

