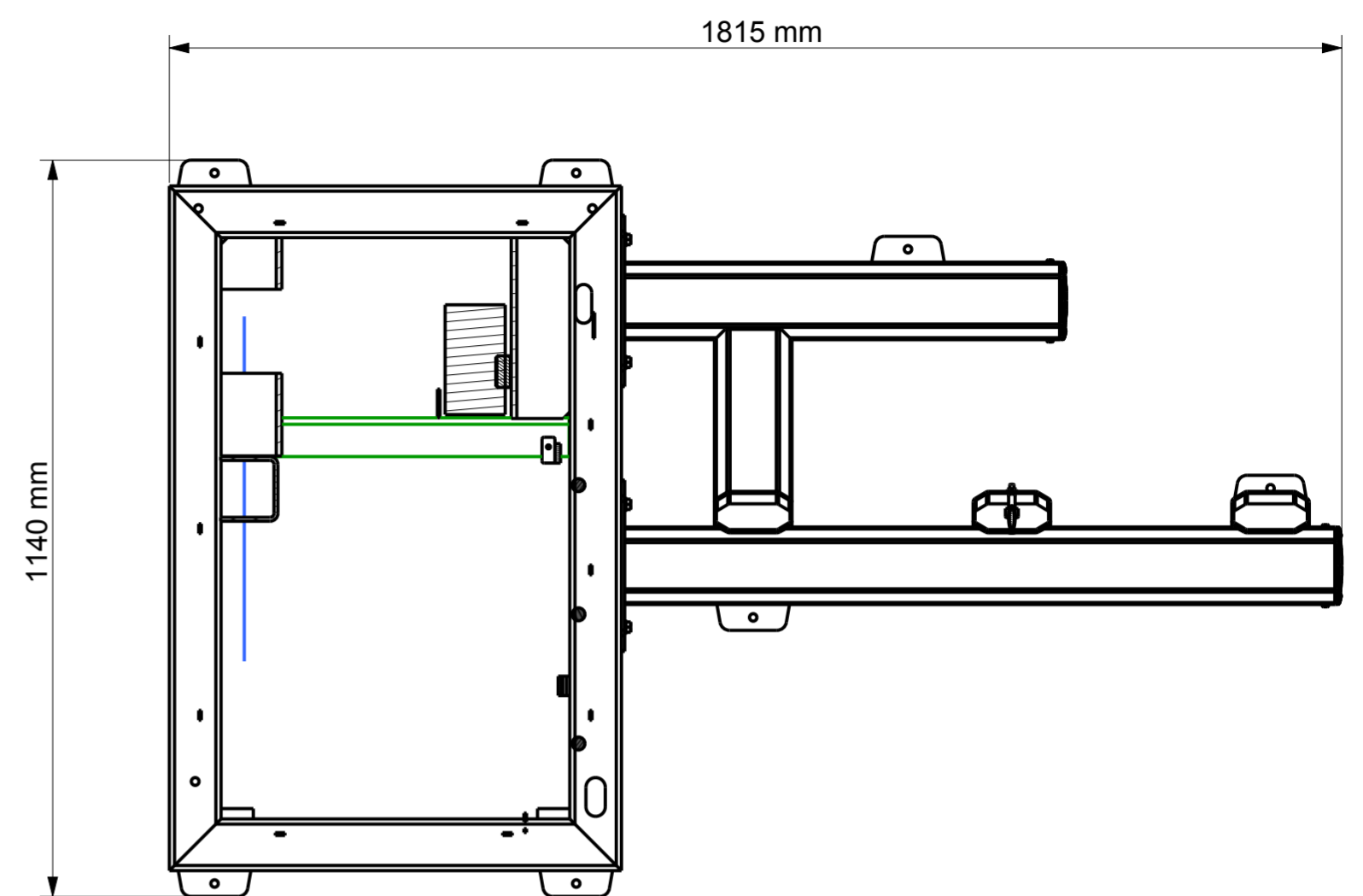
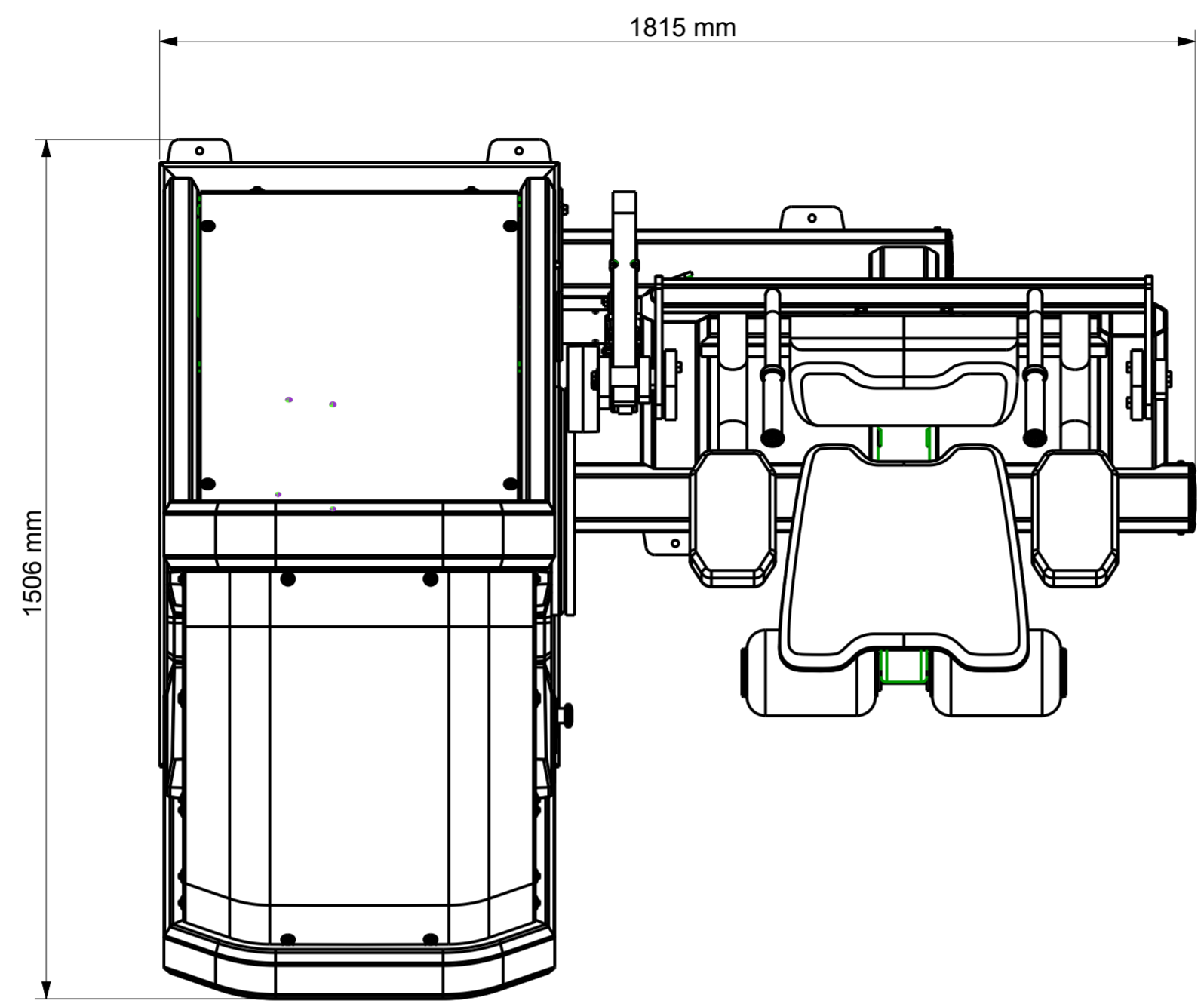
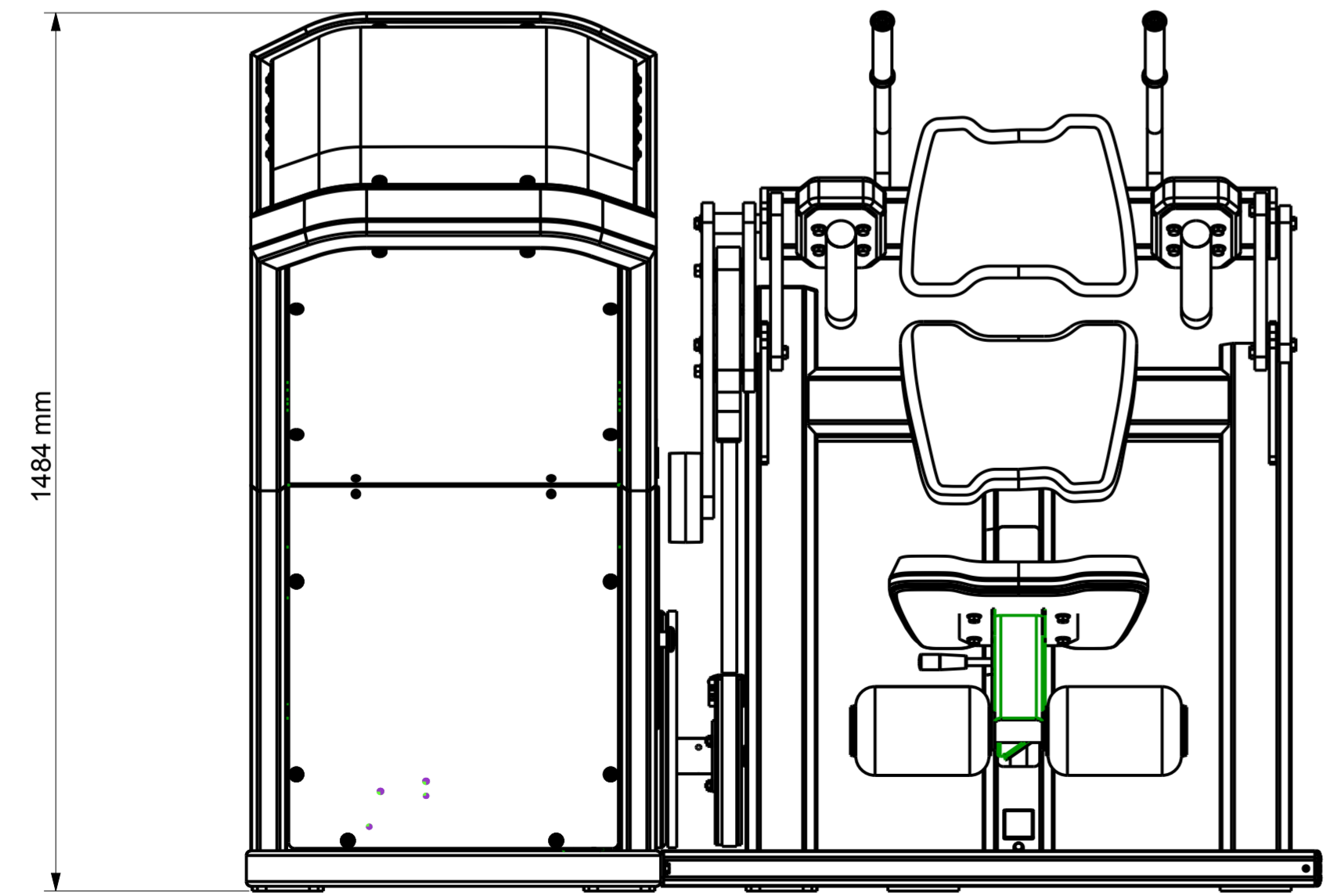


This document is our property and must not under any circumstances be copied in its original or modified state reproduced or used for any unauthorized purpose without our written permission, nor may its contents be imparted to a third party. Contravention will be prosecuted.

PROJE designed
No manual changes



Z-Z



2	1	VIKTMAGASIN 18 VIKTER KORT	20500		
1	1	ABDOMINAL CRUNCH	20014		
Pos	Antal	Benämning	Dimension/Ovrigt	Material/Leverantör	Anmärkning/Beställ nr
Number		Denomination	Dimension/Other	Material/Supplier	Note/Order No.
<p>Där ej annat angetts gäller följande: Unless otherwise stated the following applies:</p>					
Ytjämnhet Ra µm		Ytbehandling/Surface treatment		Vikt/Weight (Kg)	
Skarpa kanter brutna		Kulör/Colour		Ersätter/Replaces	
Sharp edges broken		0,2 - 0,5		Ersatt av/Replaced by	
Generella toleranser enligt ISO 2768-mk		Konstr./Designer	Ritad/Drawn	Kontroll/Checked	Skala/Scale
Tillämpl. std. se dok: 19990		OTKJ	OTKJ		1:10
Applicable std. see doc: 19990		Benämning/Denomination		Datum/Date	Dokumentstatus/Documentstatus
Vyplacering		AC		120102	
Proj.method		Benämning/Denomination		Rit nr/Draw. No	Blad nr/Sheet No
				10014	1(1)
				A2	K01

